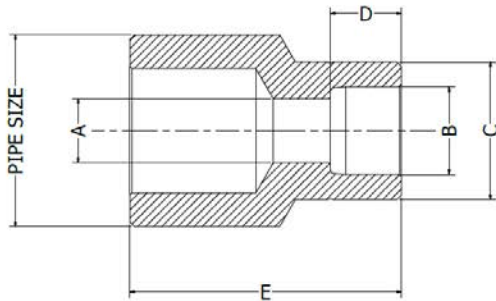


SIMILAR & DISSIMILAR ADAPTER

INLET

OUTLET



SOCKET WELD TYPE

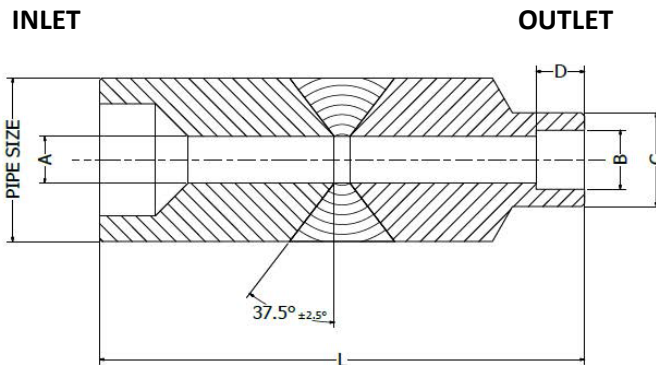


BUTT WELD TYPE

UNIT : mm

SIZE (PIPE x TUBE)	PIPE SCH.	BW TPYE	SW TYPE	A (Min.)	B	C	D	E	MATERIAL
		PART No.	PART No.						
1/2" x 3/8"	S40	KWAW401H3E	KWAS401H3E	7.10	9.73	15.24	7.90	30.20	INLET & OUTLET A/ SA182 F316 A/ SA182 F304 B/ SB164 F400 (MONEL)
	S80	KWAW801H3E	KWAS801H3E						
	S160	KWAW1601H3E	KWAS1601H3E						
1/2" x 1/2"	S40	KWAW401H1H	KWAS401H1H	10.40	13.21	18.54	9.65	28.45	
	S80	KWAW801H1H	KWAS801H1H						
	S160	KWAW1601H1H	KWAS1601H1H						
3/4" x 3/8"	S40	KWAW403Q3E	KWAS403Q3E	7.10	9.73	15.24	7.90	38.10	
	S80	KWAW803Q3E	KWAS803Q3E						
	S160	KWAW1603Q3E	KWAS1603Q3E						
3/4" x 1/2"	S40	KWAW403Q1H	KWAS403Q1H	10.40	13.21	18.54	9.65	38.10	
	S80	KWAW803Q1H	KWAS803Q1H						
	S160	KWAW1603Q1H	KWAS1603Q1H						
3/4" x 3/4"	S40	KWAW403Q3Q	KWAS403Q3Q	15.75	19.56	26.67	11.18	38.10	
	S80	KWAW803Q3Q	KWAS803Q3Q						
	S160	KWAW1603Q3Q	KWAS1603Q3Q						
1" x 3/8"	S40	KWAW401X3E	KWAS401X3E	7.10	9.73	15.24	7.90	38.10	
	S80	KWAW801X3E	KWAS801X3E						
	S160	KWAW1601X3E	KWAS1601X3E						
1" x 1/2"	S40	KWAW401X1H	KWAS401X1H	10.40	13.21	18.54	9.65	38.10	
	S80	KWAW801X1H	KWAS801X1H						
	S160	KWAW1601X1H	KWAS1601X1H						
1" x 3/4"	S40	KWAW401X3Q	KWAS401X3Q	15.75	19.56	26.67	11.18	38.10	
	S80	KWAW801X3Q	KWAS801X3Q						
	S160	KWAW1601X3Q	KWAS1601X3Q						
1-1/2" x 1-1/2"	S40	KWAW401-1HX1-1H	KWAS401-1HX1-1H	33.30	38.61	57.15	12.70	48.50	
	S80	KWAW801-1HX1-1H	KWAS801-1HX1-1H						
	S160	KWAW1601-1HX1-1H	KWAS1601-1HX1-1H						

SIMILAR & DISSIMILAR ADAPTER



SOCKET WELD TYPE



BUTT WELD TYPE

UNIT : mm

SIZE (PIPE x TUBE)	PIPE SCH.	BW TPYE	SW TYPE	A (Min.)	B	C	D	L	MATERIAL
		PART No.	PART No.						
1/2" x 3/8"	S40	KWDAW401H3E	KWDAS401H3E	7.10	9.73	15.24	7.90	63.60	INLET : A/ SA105 or A/ SA182-F22 OUTLET: A/ SA182 F316
	S80	KWDAW801H3E	KWDAS801H3E						
	S160	KWDAW1601H3E	KWDAS1601H3E						
1/2" x 1/2"	S40	KWDAW401H1H	KWDAS401H1H	10.40	13.21	18.54	9.65	60.10	
	S80	KWDAW801H1H	KWDAS801H1H						
	S160	KWDAW1601H1H	KWDAS1601H1H						
3/4" x 3/8"	S40	KWDAW403Q3E	KWDAS403Q3E	7.10	9.73	15.24	7.90	79.40	
	S80	KWDAW803Q3E	KWDAS803Q3E						
	S160	KWDAW1603Q3E	KWDAS1603Q3E						
3/4" x 1/2"	S40	KWDAW403Q1H	KWDAS403Q1H	10.40	13.21	18.54	9.65	79.40	
	S80	KWDAW803Q1H	KWDAS803Q1H						
	S160	KWDAW1603Q1H	KWDAS1603Q1H						
3/4" x 3/4"	S40	KWDAW403Q3Q	KWDAS403Q3Q	15.75	19.56	26.67	11.18	79.40	
	S80	KWDAW803Q3Q	KWDAS803Q3Q						
	S160	KWDAW1603Q3Q	KWDAS1603Q3Q						
1" x 3/8"	S40	KWDAW401X3E	KWDAS401X3E	7.10	9.73	15.24	7.90	79.40	
	S80	KWDAW801X3E	KWDAS801X3E						
	S160	KWDAW1601X3E	KWDAS1601X3E						
1" x 1/2"	S40	KWDAW401X1H	KWDAS401X1H	10.40	13.21	18.54	9.65	79.40	
	S80	KWDAW801X1H	KWDAS801X1H						
	S160	KWDAW1601X1H	KWDAS1601X1H						
1" x 3/4"	S40	KWDAW401X3Q	KWDAS401X3Q	15.75	19.56	26.67	11.18	79.40	
	S80	KWDAW801X3Q	KWDAS801X3Q						
	S160	KWDAW1601X3Q	KWDAS1601X3Q						
1-1/2" x 1-1/2"	S40	KWDAW401-1HX1-1H	KWDAS401-1HX1-1H	33.30	38.61	57.15	12.70	100.20	
	S80	KWDAW801-1HX1-1H	KWDAS801-1HX1-1H						
	S160	KWDAW1601-1HX1-1H	KWDAS1601-1HX1-1H						